

BALDOR® • RELIANCE 

Product Information Packet

MVM3458D

.25KW, 1725RPM, 3PH, 60HZ, D71D, 3320M, TEFC

Part Detail							
Revision:	AP	Status:	PRD/A	Change #:		Proprietary:	No
Type:	AC	Elec. Spec:	33WG0675	CD Diagram:	CD0005A05	Mfg Plant:	
Mech. Spec:	33E138	Layout:	33LYE138	Poles:	04	Created Date:	06-25-2007
Base:	N	Eff. Date:	03-04-2020	Leads:	9#18		

Specs			
Catalog Number:	MVM3458D	Insulation Class:	B
Enclosure:	TEFC	Inverter Code:	Not Inverter
Frame:	D71D	KVA Code:	-
Frame Material:	Steel	Lifting Lugs:	No Lifting Lugs
Output @ Frequency:	.330 HP @ 60 HZ	Locked Bearing Indicator:	Locked Bearing
Synchronous Speed @ Frequency:	1800 RPM @ 60 HZ	Motor Lead Quantity/Wire Size:	9 @ 18 AWG
Voltage @ Frequency:	230.0 V @ 60 HZ	Motor Lead Exit:	Ko Box
	460.0 V @ 60 HZ	Motor Lead Termination:	Flying Leads
Agency Approvals:	UR	Motor Type:	3320M
	CSA	Mounting Arrangement:	F2
Auxillary Box:	No Auxillary Box	Power Factor:	58
Auxillary Box Lead Termination:	None	Product Family:	General Purpose
Base Indicator:	No Mounting	Pulley End Bearing Type:	Ball
Bearing Grease Type:	Polyrex EM (-20F +300F)	Pulley Face Code:	D-Flange
Blower:	None	Pulley Shaft Indicator:	Tapped & Key
Current @ Voltage:	.700 A @ 460.0 V	Rodent Screen:	None
	1.400 A @ 230.0 V	RoHS Status:	ROHS COMPLIANT
	1.700 A @ 208.0 V	Shaft Extension Location:	Pulley End

Design Code:	B	Shaft Ground Indicator:	No Shaft Grounding
Drip Cover:	No Drip Cover	Shaft Rotation:	Reversible
Duty Rating:	CONT	Shaft Slinger Indicator:	No Slinger
Electrically Isolated Bearing:	Not Electrically Isolated	Speed Code:	Single Speed
Feedback Device:	NO FEEDBACK	Motor Standards:	IEC
Feedback Signal:	NONE	Starting Method:	Direct on line
Frame Prefix:	D	Thermal Device - Bearing:	None
Front Face Code:	Standard	Thermal Device - Winding:	None
Front Shaft Indicator:	None	Vibration Sensor Indicator:	No Vibration Sensor
Heater Indicator:	No Heater	Winding Thermal 1:	None
		Winding Thermal 2:	None

Nameplate NP1379L					
CAT.NO.	MVM3458D				
SPEC.	33E138-0675G1				
IEC FRAME	D71D	K.W.	.25 TE		
VOLTS	230/460				
AMP	1.4/.7				
RPM	1725	I.P.	54		
HZ	60	PH	3	CL	B
SER.F.	1.35	DES	B	CODE	-
NEMA-NOM-EFF	74	PF	58		
RATING	40C AMB-CONT				
CC		USABLE AT 208V	1.7		
DE	6203	ODE	6203		
SER. #					
	SFA 1.6/.8				

Parts List		
Part Number	Description	Quantity
SA010531	SA 33E138-0675G1	1.000 EA
RA006883	RA 33E138-0675G1	1.000 EA
NS2512A01	INSULATOR, CONDUIT BOX X	1.000 EA
34CB3002A16	CB W/.50 N.P.T. @ 6	1.000 EA
34GS1029A01	GASKET, CONDUIT BOX	1.000 EA
51XB1016A07	10-16 X 7/16 HXWSSLD SERTYB	2.000 EA
11XW1032G06	10-32 X .38, TAPTITE II, HEX WSHR SLTD U	1.000 EA
33EP3100A01	EP,33AC ODE GP 6203 TEFC W/DRAIN	1.000 EA
HW5100A03	WAVY WASHER (W1543-017)	1.000 EA
33EP2503A01	33 ENCL. EP MACH. 203 BRG IEC FF130	1.000 EA
51XN1032A20	10-32 X 1 1/4 HX WS SL SR	2.000 EA
33FN3000	EXTERNAL FAN, PLASTIC	1.000 EA
HW1003A08	WASHER, #8 EX TH LK, ZN (F/S)	1.000 EA
33FH4000A01	FAN COVER, STAMPED	1.000 EA
51XW1032A06	10-32 X .38, TAPTITE II, HEX WSHR SLTD S	3.000 EA
34CB4517	CB LID 4 MTG HOLES .22 DIA STAMPED, FOR	1.000 EA
34GS1031A01	GASKET, FLAT CONDUIT BOX LID (LEXIDE)	1.000 EA
51XW0832A07	8-32 X .44, TAPTITE II, HEX WSHR SLTD SE	4.000 EA
HW2504D08	KEY, 5 MM X .875	1.000 EA
HA7000A10	KEY RETAINER 0.563 DIA SHAFTS	1.000 EA
HW4600A09	SEAL 0.656 X 1.124 X 0.250 DOUBLE SHIELD	1.000 EA
MJ5001A27	32220KN GRAY SEALER *MIN BUY 4 QTS=1GAL	0.001 QT
MG1000G27	MED CHARCOAL METALLIC GREY 400-0096	0.013 GA
85XU0407S04	4X1/4 U DRIVE PIN STAINLESS	2.000 EA

Parts List (continued)		
Part Number	Description	Quantity
HA3100A48	THRUBOLT 10-32 X 7.188	2.000 EA
MN416A01	TAG-INSTAL-MAINT no wire (1200/bx) 3/19	1.000 EA
LC0005E01	CONN.DIA./WARNING LABEL (LC0005/LB1119N)	1.000 EA
NP1379L	ALUM IEC UL CSA CC	1.000 EA
35PA1000	PKG GRP, PRINT PK1008A06	1.000 EA

AC Induction Motor Performance Data

Record # 16144 - Typical performance - not guaranteed values

Winding: 33WG0675-R001	Type: 3320M	Enclosure: TEFC
-------------------------------	--------------------	------------------------

Nameplate Data				460 V, 60 Hz: High Voltage Connection	
Rated Output (HP)	0.33			Full Load Torque	1 LB-FT
Volts	230/460			Start Configuration	direct on line
Full Load Amps	1.4/0.7			Breakdown Torque	4.2 LB-FT
R.P.M.	1725			Pull-up Torque	3.9 LB-FT
Hz	60	Phase	3	Locked-rotor Torque	4.4 LB-FT
NEMA Design Code	B	KVA Code	-	Starting Current	4 A
Service Factor (S.F.)	1.35			No-load Current	0.53 A
NEMA Nom. Eff.	74	Power Factor	58	Line-line Res. @ 25°C	47.3 Ω
Rating - Duty	40C AMB-CONT			Temp. Rise @ Rated Load	56°C
S.F. Amps	1.6/0.8			Temp. Rise @ S.F. Load	71°C

Load Characteristics 460 V, 60 Hz, 0.33 HP

% of Rated Load	25	50	75	100	125	150	S.F.
Power Factor	29	42	53	62	69	75	72
Efficiency	49	64	71	74	75	75	75.4
Speed	1776	1758	1738	1717	1695	1670	1686
Line amperes	0.54	0.57	0.61	0.67	0.74	0.82	0.77

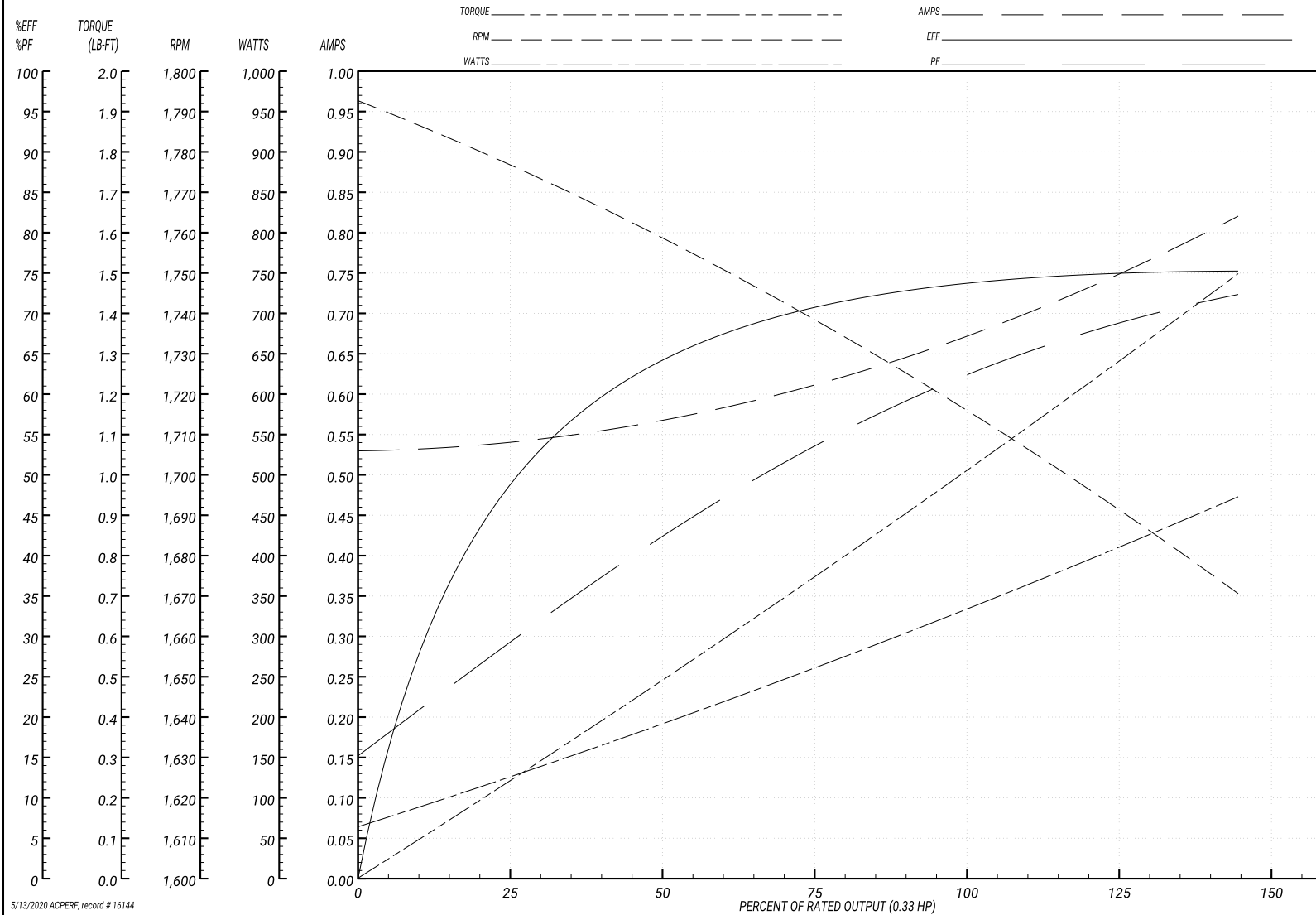
Performance Graph at 460V, 60Hz, 0.33HP Typical performance - Not guaranteed values

ABB Motors and Mechanical Inc.

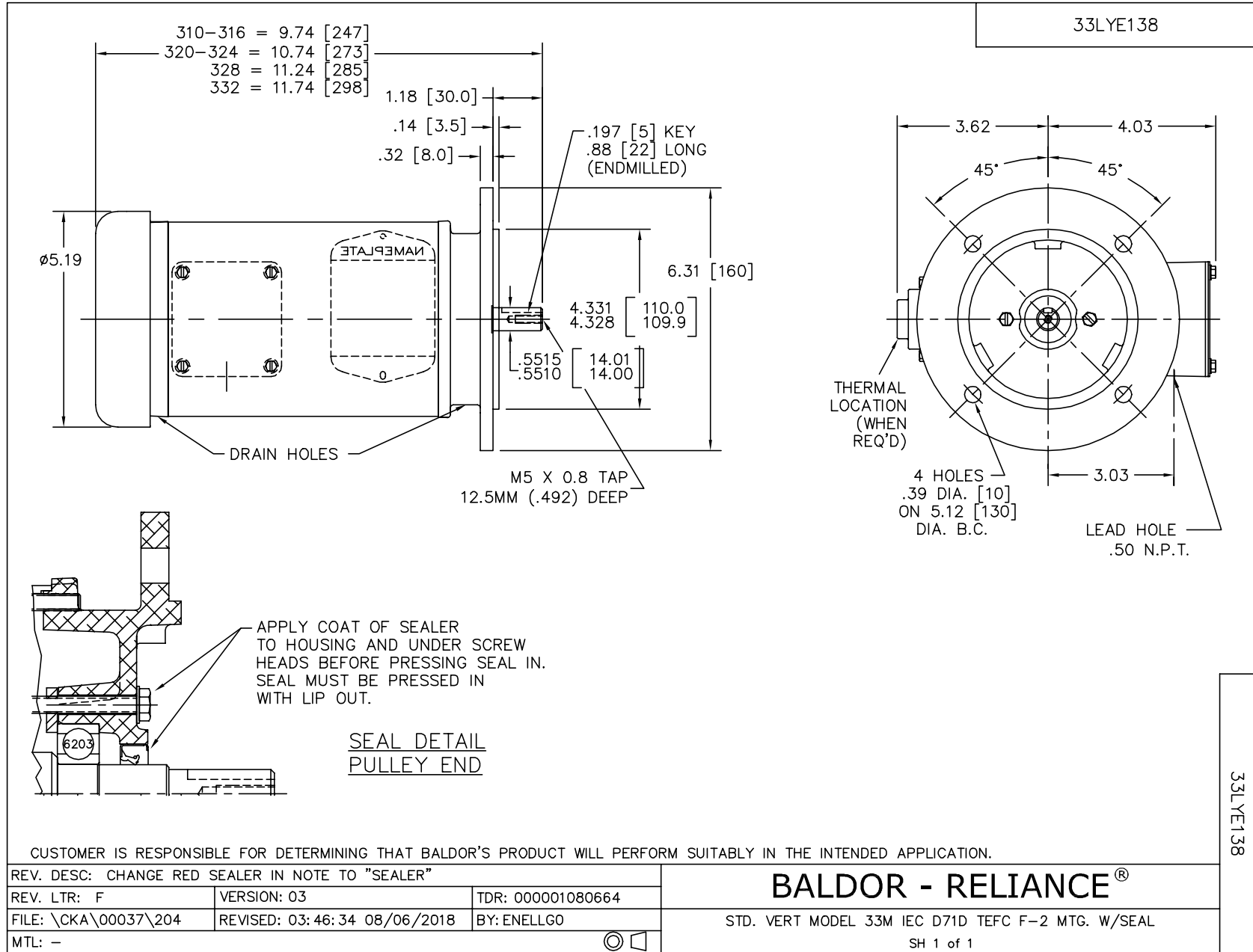
WINDING # 33WG0675

Typical performance - not guaranteed values.

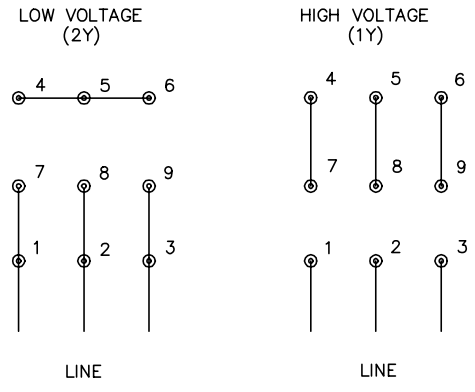
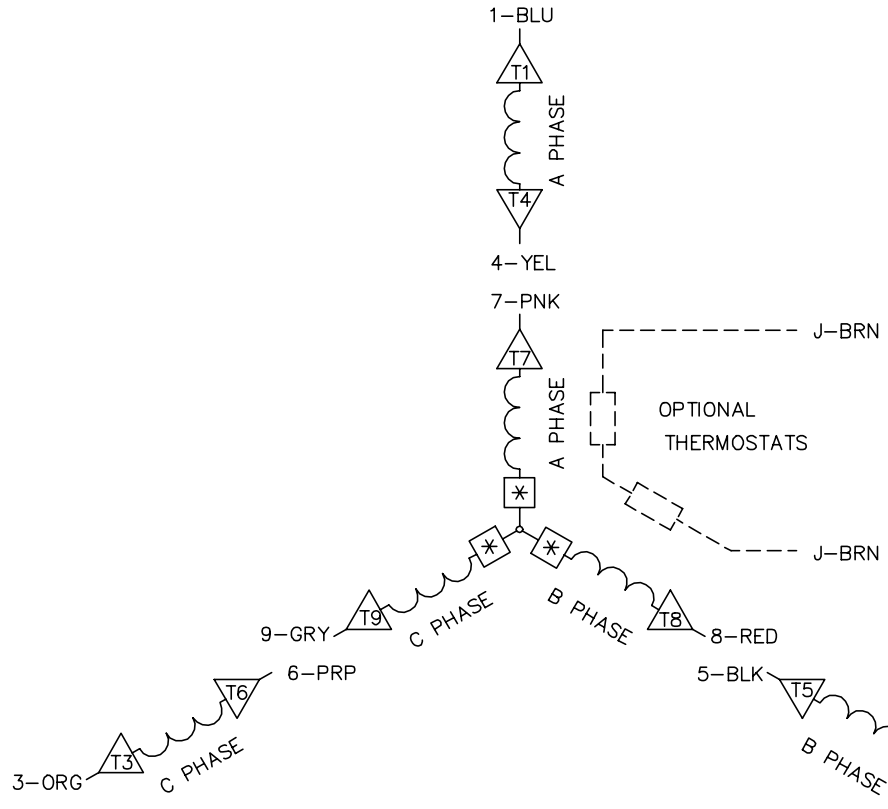
0.33 HP 3 PH 60 HZ 1725 RPM 460 V 3320M
 TORQUES(LB-FT): PO=4.2 PU=3.9 LR=4.4 LRA=4



5/13/2020 ACPERF, record # 16144



CD0005A05



- NOTES:
1. INTERCHANGE ANY TWO LINE LEADS TO REVERSE ROTATION.
 2. OPTIONAL THERMOSTATS ARE PROVIDED WHEN SPECIFIED.
 3. ACTUAL NUMBER OF INTERNAL PARALLEL CIRCUITS MAY BE A MULTIPLE OF THOSE SHOWN ABOVE.
 4. LEAD COLORS ARE OPTIONAL. LEADS MUST ALWAYS BE NUMBERED AS SHOWN.
 5. =MAGNET WIRE COIL END WITH I.D. NUMBER.
 6. =MAGNET WIRE COIL END WITH I.D. SYMBOL.
 7. SEE CW PRINT FOR NEST TO NEST CROSSOVER CONNECTIONS.

REV. DESC: ADD NEST NOTE			
REV. LTR: C	VERSION: 03	TDR: 000000445597	
CD0005A05	FILE: \CKA\00024\847	REVISED: 12:51:06 11/15/2007	
	MTL: -	BY: CKMICRO	

BALDOR • DODGE • RELIANCE

3PH, DV, 9 LEADS, CK

CD0005A05